

In-line Polarizer

Features

High Extinction Ratio
 Low Insertion Loss
 High Return Loss

Applications

Communication Systems
 Test Instrumentations
 Fiber Sensors
 Research

Specifications

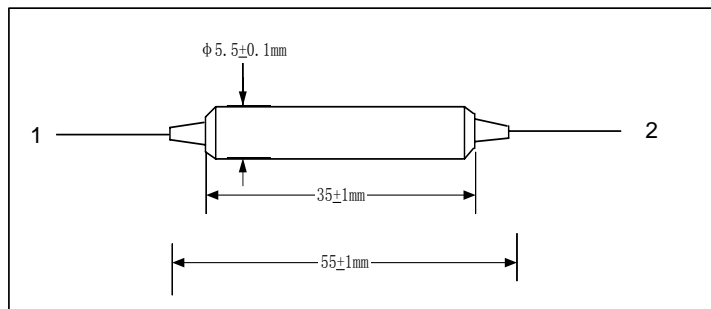
Parameters	Unit	Values
Center Wavelength	nm	1310, 1480 or 1550
Operating Wavelength Range	nm	±50
Typ. Insertion Loss at 23°C	dB	0.3
Max. Insertion Loss at 23°C	dB	0.5
Min. Return loss	dB	50
Typ. Extinction ratio at 23°C	dB	30
Min. Extinction ratio at 23°C	dB	28
Max. Optical Power (CW)	mW	500
Max. Tensile Load	N	5
Fiber Type		PM Panda Fiber or SMF-28e
Operating Temperature	°C	-5 to +70
Storage Temperature	°C	-40 to +85

*Above specifications are for devices without connectors.

*For devices with connectors, IL will be 0.3dB higher, RL will be 5dB lower and ER will be 2dB lower.

*The PM fiber and the connector key are aligned to the slow axis.

Package Dimensions



Ordering information

AILP-①①-②②-③③-④④-⑤⑤

①①: Wavelength

31 - 1310nm
 48 - 1480nm
 55 - 1550nm
 SS - Specify

③③: Fiber Jacket on Port 1 & 2

B - 250um Bare Fiber
 D - 400um Bare Fiber
 L - 900um Loose Tube
 S - Specify

④④: Fiber Type on Port 1 & 2

1 - PM Panda Fiber
 2 - SMF-28e Fiber

⑤⑤: Fibre Length

0.8 - 0.8m
 S - Specify

②②: Connector Type on Port 1 & 2

1 - FC/UPC
 2 - FC/APC
 3 - SC/UPC
 4 - SC/APC
 N - None
 S - Specify