

## In-line Faraday Rotator

### Features

High Return Loss  
 High Extinction Ratio  
 Low Insertion Loss  
 Excellent Environmental Stability

### Applications

Fiber Sensor  
 Fiber Amplifier  
 Fiber Lasers  
 Research

### Specifications

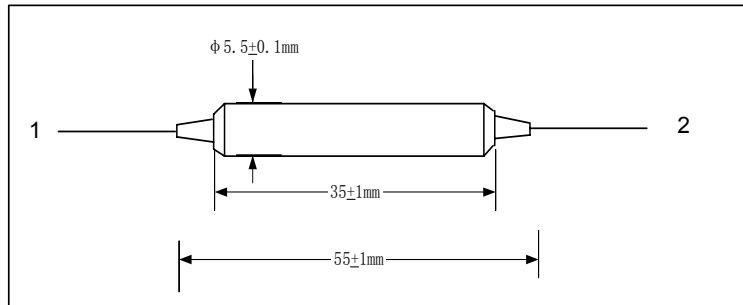
| Parameters  | Unit | Values             |
|---|------|--------------------|
| Center Wavelength ( $\lambda_c$ )   | nm   | 1310, 1480 or 1550 |
| Operating Wavelength Range  | nm   | $\pm 20$           |
| Typ. Insertion Loss   | dB   | 0.3                |
| Max. Insertion Loss   | dB   | 0.5                |
| Min. Return Loss  | dB   | 50                 |
| Min. Extinction Ratio<br>(Slow Axis of Port 1 is aligned to Slow Axis of Port 2, for PM-PM Type, at 23°C) | dB   | 20                 |
| Min. Extinction Ratio<br>(Slow Axis of Port 2 is aligned to Fast Axis of Port 1, for PM-PM Type, at 23°C) | dB   | 20                 |
| Rotation Angle at 23°C, $\lambda_c$   | °C   | 45 $\pm$ 1         |
| Max. Optical Power (CW)   | mW   | 500                |
| Max. Tensile Load   | N    | 5                  |
| Operating Temperature   | °C   | -5 to +70          |
| Storage Temperature   | °C   | -40 to +85         |

\*Above specifications are for devices without connectors.

\*For devices with connectors, IL will be 0.3dB higher, RL will be 5dB lower and ER will be 2dB lower.

\*The PM fiber and the connector key are aligned to the slow axis.

### Package Dimensions



### Ordering information

**AILF-①①-②②-③③-④④-⑤**

①①: Wavelength

31 - 1310nm

48 - 1480nm

55 - 1550nm

SS - Specify

③③: Fiber Jacket on Port 1 & 2

B - 250um Bare Fiber

D - 400um Bare Fiber

L - 900um Loose Tube

S - Specify

④④: Fiber Type on Port 1 & 2

1 - PM Panda Fiber

2 - SMF-28e Fiber

⑤: Fiber Length

0.8 - 0.8m

S - Specify

②②: Connector Type on Port 1 & 2

1 - FC/UPC

2 - FC/APC

3 - SC/UPC

4 - SC/APC

N - None

S - Specify