

# Collimator

## Features

Low Insertion Loss  
High Return Loss

## Applications

Fiber Optics Components  
Fiber Sensors  
Research  
Free Space Communications

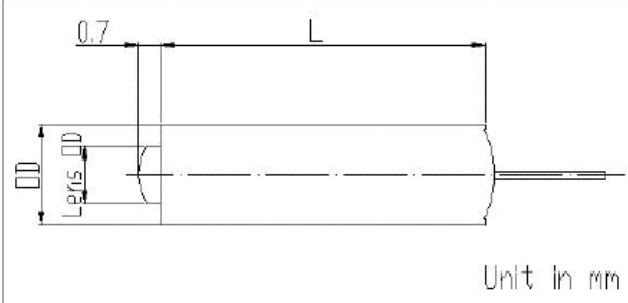
## Specifications

Parameters	Unit	Values
Center Wavelength	nm	1310 or 1550
Operating Wavelength Range	nm	±30
Working Distance	mm	5 or Specify
Typ. Insertion Loss at 5mm WD	dB	0.2
Max. Insertion Loss at 5mm WD	dB	0.25
Min. Return Loss	dB	60
Max. PDL	dB	0.02
Max. Optical Power (CW)	mW	500
Max. Tensile Load	N	5
Fiber Type		SMF-28e Fiber
Operating Temperature	°C	-5 to +70
Storage Temperature	°C	-40 to +85

\*Above specifications are for device without connector

\*For devices with connectors, IL will be 0.3dB higher and RL will be 5dB lower.

## Package Dimensions



	Metal Holder	Glass Tube	
<input type="checkbox"/> <input type="checkbox"/> (For 1.8mm Lens Dia)	∅3.2±0.02 <input type="checkbox"/>	∅2.78±0.01 <input type="checkbox"/>	
L (For 1.0mm Lens Dia)	10±0.1 <input type="checkbox"/>	9.0±0.1 <input type="checkbox"/>	
<input type="checkbox"/> <input type="checkbox"/> (For 1.0mm Lens Dia)	∅1.8±0.02 <input type="checkbox"/>	∅1.4±0.02 <input type="checkbox"/>	
L (For 1.0mm Lens Dia)	7.0±0.1 <input type="checkbox"/>	7.0±0.1 <input type="checkbox"/>	

Unit in mm

## Ordering Information

AC-①①-②-③-④-⑤-⑥⑥-⑦⑦-⑧-⑨

①①: Wavelength

31 - 1310nm  
55 - 1550nm  
3155 - 1310/1550nm  
S - Specify

②: Pigtail Type

S - Single Fiber  
D - Dual Fiber (for 1.8mm Capillary only)

③: Lens Diameter

1 - 1.8mm  
2 - 1.0mm(for Single Fiber only)  
S - Specify

④: Lens Type

G - Grin Lens  
C - C Lens

⑤: Working Distance

1 - 5mm  
S - Specify

⑥⑥: Connector Type

1 - FC/UPC  
2 - FC/APC  
3 - SC/UPC  
4 - SC/APC  
N - None  
S - Specify

⑦⑦: Fiber Jacket

B - 250um Bare Fiber  
L - 900um Loose Tube  
T - 900um Tight Buffer Fiber (for Single Fiber only)  
S - Specify

⑧: Fiber Length

1.75 - 1.75m  
S - Specify

⑨: Package Type

1 - Metal Holder  
2 - Glass Tube