

## Features

Low Insertion Loss  
High Return Loss  
High Power Handling Capability

## Applications

Fiber Optic Instruments  
Fiber Amplifiers  
Fiber Lasers  
Fiber Sensors

## Specifications

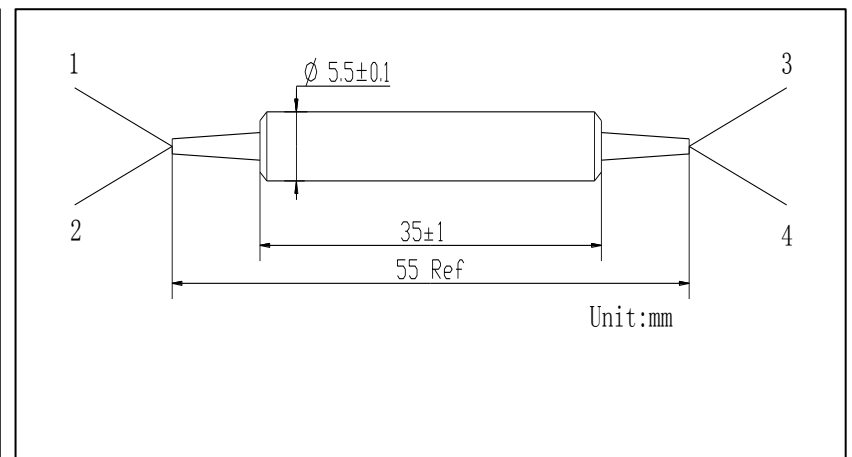
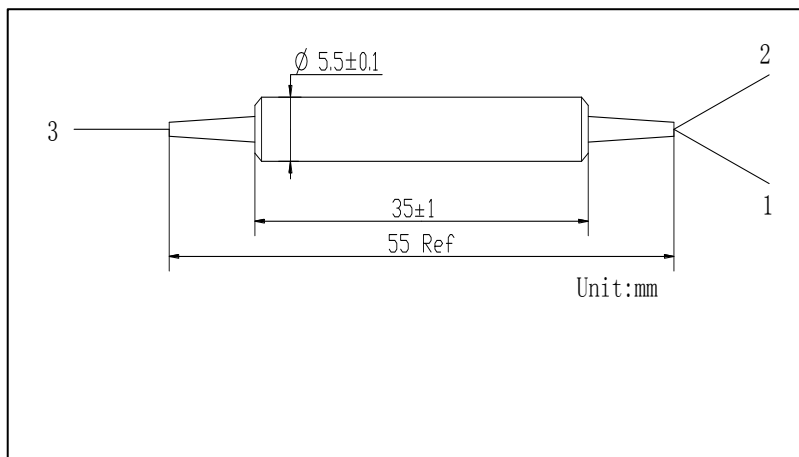
Parameters	Unit	Values	
Port Type		1X2	2X2
Center Wavelength	nm	1310 or 1550	
Operating Wavelength Range	nm	±40	
Max. Excess Loss	dB	0.9	1.2
Max. Uniformity (only for 50/50)	dB	0.6	0.8
Tap Ratio (Port 2/4)	%	1±0.2, 2±0.4, 5±1.0, 10 & 50	
Min. Return Loss	dB	50	
Min. Extinction Ratio (only for F type)	dB	22	22
Min. Extinction Ratio (only for B type)	dB	20	18
Max. Optical Power (CW)	W	1, 2, 3 or Specify (only for Splitter)	
Max. Tensile Load	N	5	
Fiber Type		SMF-28e or PM Panda Fiber on Tap Port	
		PM Panda Fiber on Port 1 & Port 3	
Operating Temperature	°C	-5 to +70	
Storage Temperature	°C	-40 to +85	

\* Above specifications are for devices without the connectors.

\* For devices with connectors, IL will be 0.3dB higher, RL will be 5dB lower, ER will be 2dB lower and optical power is only 1000mW.

\*The PM fiber and the connector key are aligned to the slow axis. And for F type, fast axis is blocked.

## Package Dimensions



## Ordering Information

AHPMFC-①①-②-③③-④-⑤⑤-⑥⑥⑥⑥-⑦⑦⑦⑦-⑧-⑨

①①: Wavelength

31 - 1310nm

55 - 1550nm

SS - Specify

②: Port

1 - 1x2

2 - 2x2

③③

: Coupling Ratio

01 - 1/99

02 - 2/98

04 - 4/96

05 - 5/95

10 - 10/90

20 - 20/80

50 - 50/50

SS - Specify

④: Axis Alignment

F - Fast Axis Blocked

B - Both Axis Working

⑤⑤: Handling Power

01 - 1W

SS - Specify

⑥⑥⑥⑥: Connector Type on Port 1, 2, 3 & 4

1 - FC/UPC

2 - FC/APC

3 - SC/UPC

4 - SC/APC

N - None

S - Specify

⑦⑦⑦⑦: Fiber Jacket on Port 1, 2, 3 & 4

B - 250um Fiber

L - 900um Loose Tube

S - Specify

⑧: Fiber Type on Tap port

M - SMF-28e Fiber (For 1x2 only)

P - PM Panda Fiber

S - Specify

⑨: Fiber Length

0.8 - 0.8m

S - Specify