

# 1x2 Polarization Maintaining Optical Circulator

## Features

Low Insertion Loss  
High Return Loss

## Applications

Fiber Optic Instruments  
Fiber Sensors  
Coherent Detecting  
Research

## Specifications

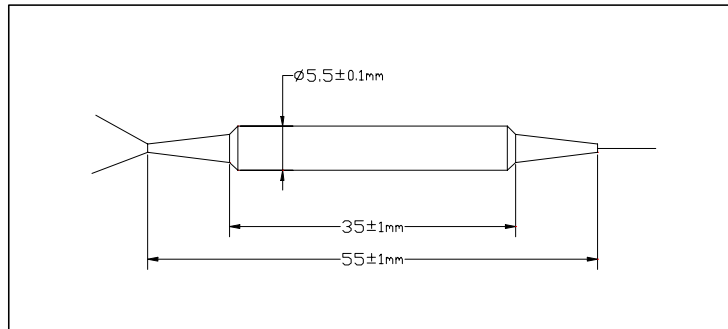
Parameter	Unit	Values	
		Type A	Type B
Center Wavelength	nm	1310 or 1550	
Operating Wavelength Range	nm	± 30	± 20
Min. Isolation	dB	40	20
Typ. Isolation	dB	46	30
Peak Isolation	dB	52	40
Typ. Insertion Loss	dB	0.7	0.6
Max. Insertion Loss	dB	0.9	0.8
Min. Return Loss	dB	55	
Min. Extinction Ratio	dB	22	20
Min. Cross Talk	dB	50	
Max. Optical Power (CW)	mW	500	
Max. Tensile Load	N	5	
Fiber Type		PM Panda Fiber	
Operating Temperature	°C	-5 to +70	
Storage Temperature	°C	-40 to +85	

\*Above specifications are for device without connector.

\*For devices with connectors, IL will be 0.3dB higher, RL will be 5dB lower and ER will be 2dB lower.

\*The PM fiber and the connector key are aligned to the slow axis and fast axis is blocked.

## Package Dimensions



## Ordering Information

**APMCIR-①①-②-③③③-④④④-⑤**

①①: Wavelength

31 - 1310nm

55 - 1550nm

SS- Specify

②: Type

A - Type A

B - Type B

③③③: Connector Type on Port 1, 2 & 3

1 - FC/UPC

2 - FC/APC

3 - SC/UPC

4 - SC/APC

N - None

S - Specify

④④④: Fiber Jacket on Port 1, 2 & 3

B - 250um Fiber

D - 400um Fiber

L - 900um Loose Tube

S - Specify

⑤: Fiber Length

0.8 - 0.8m

S - Specify