

Features

Low Insertion Loss
High Return Loss

Applications

Fiber Optic Instruments
Fiber Sensors
Coherent Detecting
Research

Specifications

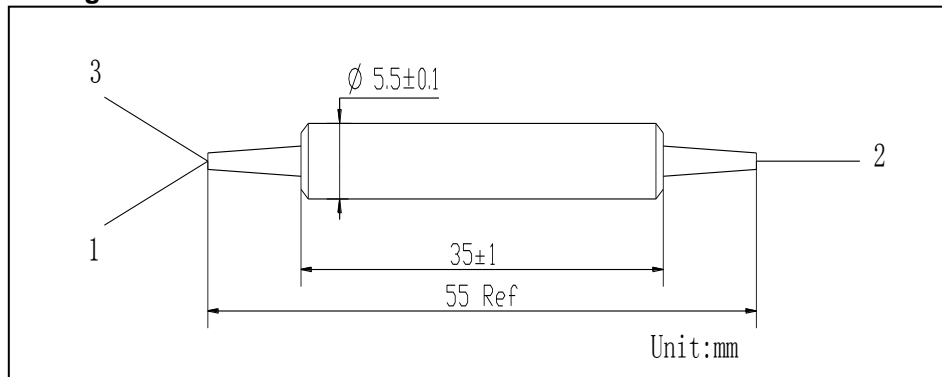
| Parameter | Unit | Values | |
|--------------------------------|------|--------------------------|--------|
| | | Type A | Type B |
| Type | | | |
| Center Wavelength | nm | 2000 | |
| Operating Wavelength Range | nm | ±30 | |
| Min. Isolation, 23°C (3→2,2→1) | dB | 35 | 18 |
| Typ. Isolation (3→2,2→1) | dB | 45 | 25 |
| Typ. Insertion Loss (1→2,2→3) | dB | 1.1 | 0.8 |
| Max. Insertion Loss (1→2,2→3) | dB | 1.5 | 1.2 |
| Min. Return Loss | dB | 50 | |
| Min. Extinction Ratio | dB | 20 | |
| Min. Cross Talk | dB | 50 | |
| Max. Optical Power (CW) | mW | 500 | |
| Max. Tensile Load | N | 5 | |
| Fiber Type | | PM 1550 or PM 1950 Fiber | |
| Operating Temperature | °C | -5 to +70 | |
| Storage Temperature | °C | -40 to +85 | |

*Above specifications are for device without connector.

*For devices with connectors, IL will be 0.3dB higher, RL will be 5dB lower and ER will be 2dB lower.

*The PM fiber and the connector key are aligned to the slow axis and fast axis is blocked.

Package Dimensions



Ordering Information

APMCIR-①①-②-③-④④④-⑤⑤⑤-⑥

①①: Wavelength

20 - 2000nm

SS - Specify

②: Type

A - Type A

B - Type B

③: Port

1 - 1X2

④④④: Connector Type on Port 1, 2 & 3

1 - FC/UPC

2 - FC/APC

3 - SC/UPC

4 - SC/APC

N - None

S - Specify

⑤⑤⑤: Fiber Jacket on Port 1, 2 & 3

B - 250um Bare Fiber

L - 900um Loose Tube

S - Specify

⑥: Fiber Length

1.0 - 1.0m

S - Specify