

Features

High Isolation
 Low Insertion Loss
 Large Aperture

Applications

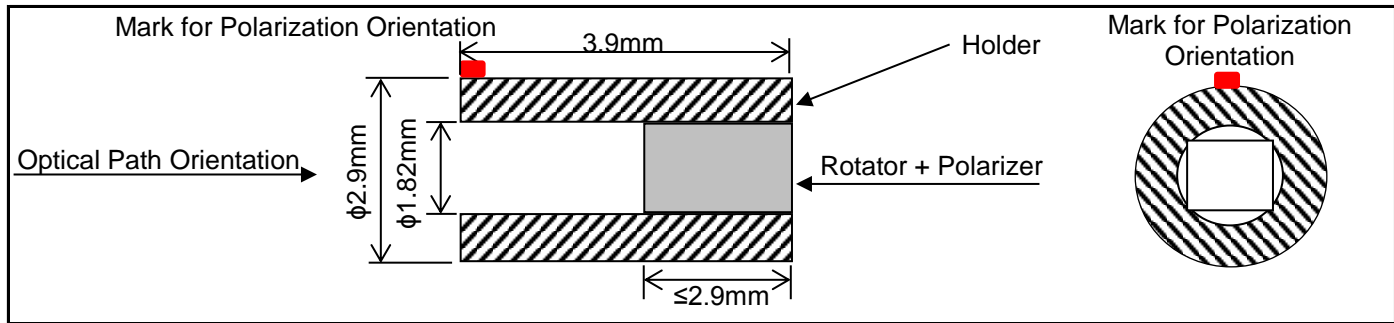
Fiber Optic Lasers
 Fiber Amplifier
 Research

Specifications

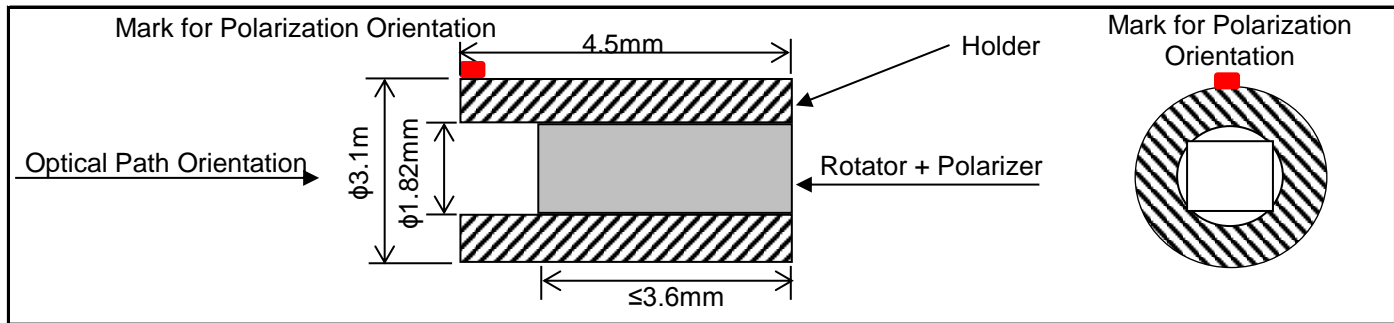
| Parameter | Unit | Values | |
|-----------------------------|------|---|------------|
| | | Single Stage | Dual Stage |
| Center Wavelength | nm | 2000 | |
| Operating Wavelength Range | nm | ±50 | |
| Typ. Peak Isolation | dB | 38 | 50 |
| Min. Isolation at 23°C | dB | 18 | 32 |
| Typ. Insertion Loss at 23°C | dB | 0.2 | 0.3 |
| Max. Insertion Loss at 23°C | dB | 0.4 | 0.5 |
| Clear Aperture | mm | 0.9 | |
| Polarization Plane of Input | | Illustrated in Below Drawing | |
| Tilt Angle of Input Light | deg | 0 | |
| Max. Optical Power (CW) | mW | 500 (Polarized Light & Proper Alignment Is Necessary) | |
| Operating Temperature | °C | -5 to +70 | |
| Storage Temperature | °C | -40 to +85 | |

Package Dimensions

Single Stage



Dual Stage



Ordering Information

FSI-①①-②-③

①①: Wavelength
 20 - 2000nm
 SS - Specify

②: Stage
 S - Single Stage
 D - Dual Stage

③: Optical Path Orientation
 F - Forward (as indicated above)
 B - Backward