



1064nm Polarization Maintaining Fiber Collimator

Features

- High Extinction Ratio
- Low Insertion Loss
- High Return Loss

Applications

- PM Components
- Research
- Free Space Communications
- Fiber Lasers

Specifications

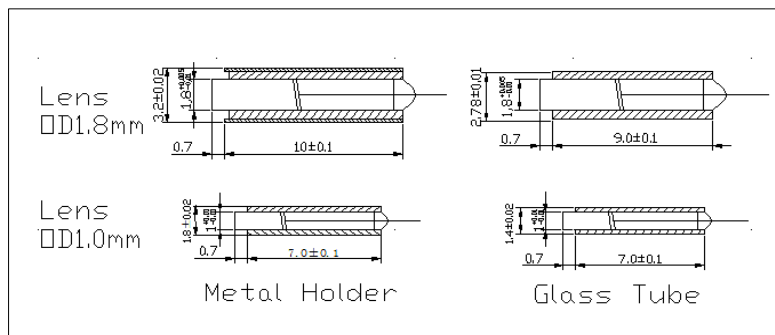
Parameters	Unit	Values
Center Wavelength	nm	1064
Operating Wavelength Range	nm	± 30
Working Distance	mm	5 or Specify
Typ. Insertion Loss at 5mm	dB	0.25
Max. Insertion Loss at 5mm	dB	0.3
Min. Return Loss	dB	60
Typ. Extinction Ratio	dB	25
Min. Extinction Ratio	dB	23
Max. Optical Power (CW)	mW	300
Max. Tensile Load	N	5
Fiber Type		PM 980 Panda Fiber
Operating Temperature		-5 to +70
Storage Temperature		-40 to +85

*Above specifications are for device without connector.

*For devices with connectors, IL will be 0.3dB higher, RL will be 5dB lower and ER will be 2dB lower.

* The PM fiber & connector key are aligned to the slow axis.

Package Dimensions



Ordering Information

APMC- - - - -

- | | | |
|-----------------------------------|------------------|----------------------|
| Wavelength | Lens Type | Fiber Jacket |
| 06 - 1064nm | G - Grin lens | B - 250um Bare Fiber |
| SS - Specify | C - C lens | L - 900um Loose Tube |
| | | S - Specify |
| Pigtail Type | Working Distance | Fiber Length |
| S - Single Fiber | 1 - 5mm | 1.5 - 1.5m |
| D - Dual Fiber | S - Specify | S - Specify |
| Lens Diameter | Connector Type | Package Type |
| 1 - 1.8mm | 1 - FC/UPC | 1 - Metal Holder |
| 2 - 1.0mm (for Single Fiber only) | 2 - FC/APC | 2 - Glass Tube |
| S - Specify | 3 - SC/UPC | |
| | 4 - SC/APC | |
| | N - None | |
| | S - Specify | |