

Features

High Extinction Ratio
 Low Insertion
 High Return Loss

Applications

Fiber Optics Components

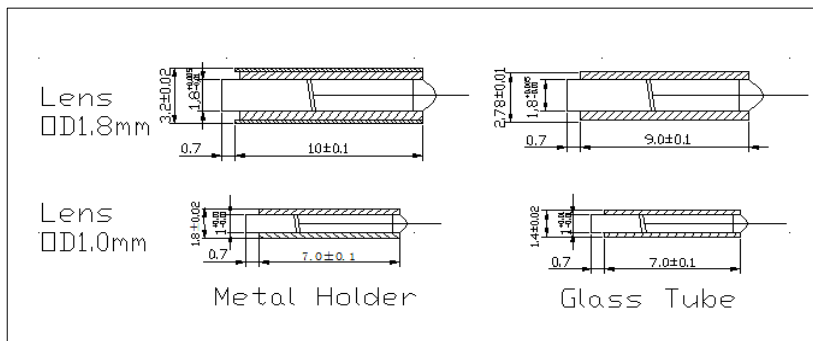
Specifications

Parameters	Unit	Values
Center Wavelength	nm	1064
Operating Wavelength Range	nm	±30
Working Distance	mm	5
Typ. Insertion Loss at 5mm	dB	0.25
Max. Insertion Loss at 5mm	dB	0.3
Min. Return Loss	dB	60
Max. PDL	dB	0.02
Max. Optical Power (CW)	mW	300
Max. Tensile Load	N	5
Fiber Type		HI 1060 Fiber
Operating Temperature		-5 to +70
Storage Temperature		-40 to +85

*Above specifications are for device without connector.

*For devices with connectors, IL will be 0.3dB higher and RL will be 5dB lower.

Package Dimensions



Ordering Information

AC- - - - -

: Wavelength
 06 - 1064nm
 SS - Specify
 : Working Distance
 1 - 5mm
 S - Specify
 : Fiber Length
 1.75 - 1.75m
 S - Specify

: Pigtail Type
 S - Single Fiber Pigtail
 D - Dual Fiber Pigtail
 : Connector Type
 1 - FC/UPC
 2 - FC/APC
 3 - SC/UPC
 4 - SC/APC
 N - None
 S - Specify
 : Package Type
 1 - Metal Holder
 2 - Glass Tube

: Lens Diameter
 1 - 1.8mm
 2 - 1.0mm (for Single Fiber only)
 S - Specify

: Lens Type
 G - Grin Lens
 C - C Lens
 : Fiber Jacket
 B - 250um Bare Fiber
 L - 900um Loose Tube
 T - 900um Tight Buffer Fiber (for Single Fiber only)
 S - Specify